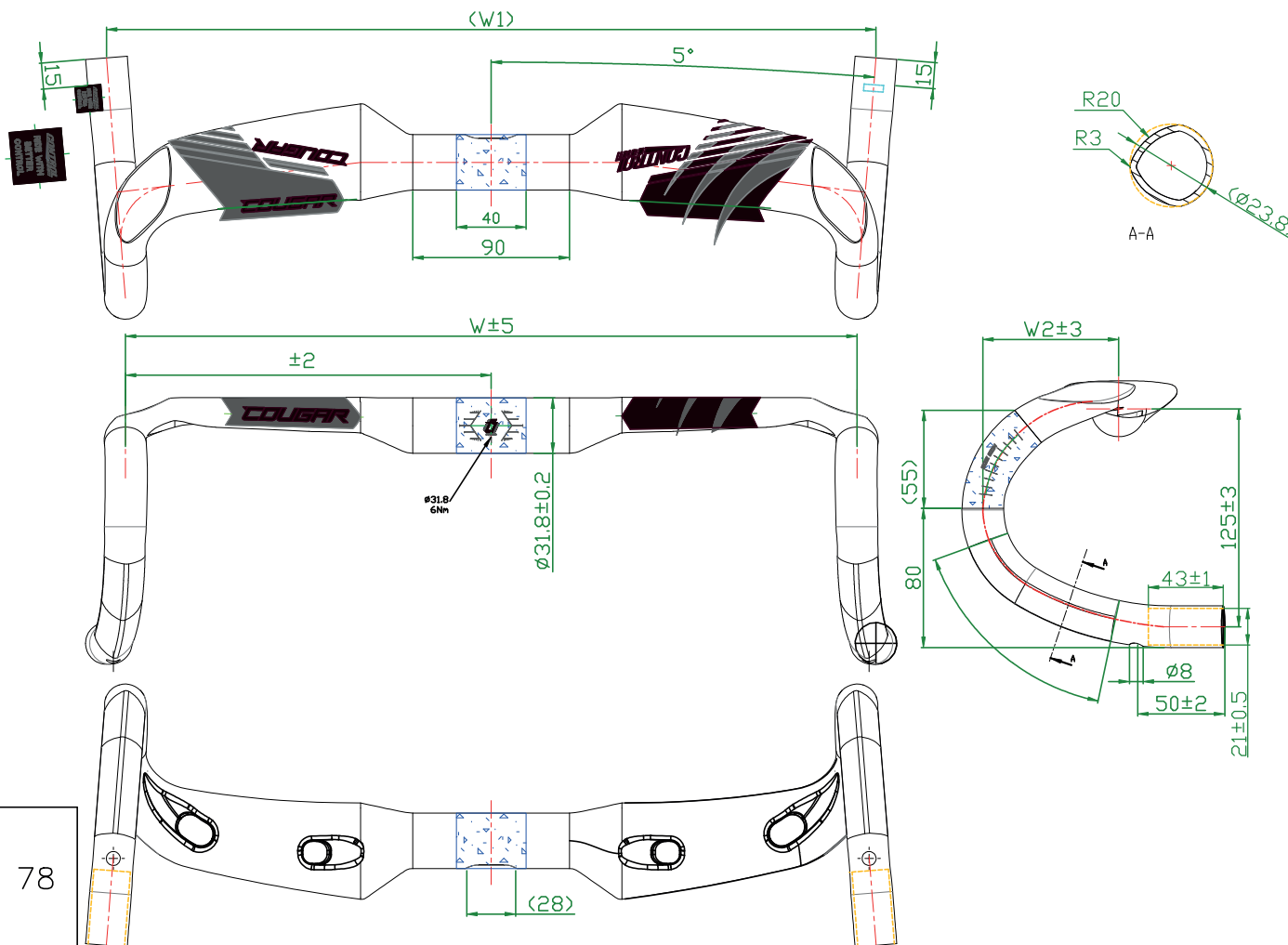


● ...
● ... 0
106G54A



| | | |
|-----|-----|----|
| 440 | 462 | 78 |
| 420 | 442 | |
| 400 | 422 | |
| 380 | 402 | 70 |
| W | W1 | W2 |