

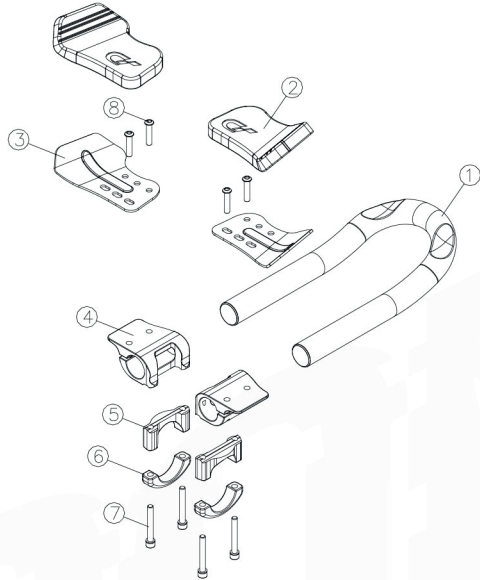


FALCON CLIP ON

NÁVOD K INSTALACI

Děkujeme, že jste si vybrali řídítka CONTROLTECH. Při správné instalaci a údržbě, vás odmění bezproblémovým, příjemným pocitem z jízdy.

Abyste maximalizovali bezpečné užívání tohoto produktu, přečtěte si a věnujte pozornost následujícímu návodu pro instalaci a v něm obsaženým pokynům a varováním. Pokud tak neučiníte, může dojít k nadměrnému opotřebení nebo selhání, což může vést k poranění.

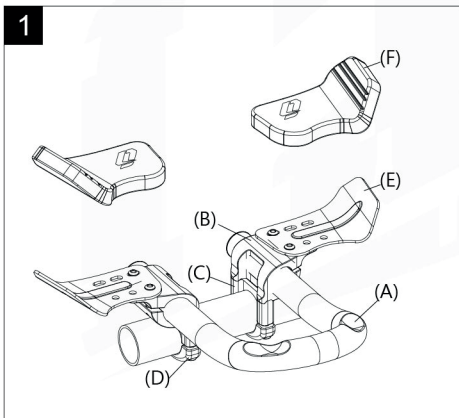


NÁZEV MODELU / ČÍSLO MODELU

U bend hrazda Falcon clip-on / TTH-14

DÍLY

- ① U bend hrazda 1x
- ② Loketní opěrka 2x
- ③ Nosník loketní opěrky 2x
- ④ G objímka 2x
- ⑤ C objímka 2x
- ⑥ Spodní objímka 2x
- ⑦ Šroub M5x38 4x
- ⑧ Šroub M5x25 4x



INSTALACE

1. Nasuňte hrazdu (A) do G objímky (B) a sestavte C objímky (C) s rozpěrkami
2. Namontujte tělo hrazdy na střed řídítek pomocí spodních objímek (D) a utáhněte šrouby M5 maximální silou 5Nm
3. Na nosníky loketních opěrek (E) nainstalujte loketní opěrky (F)





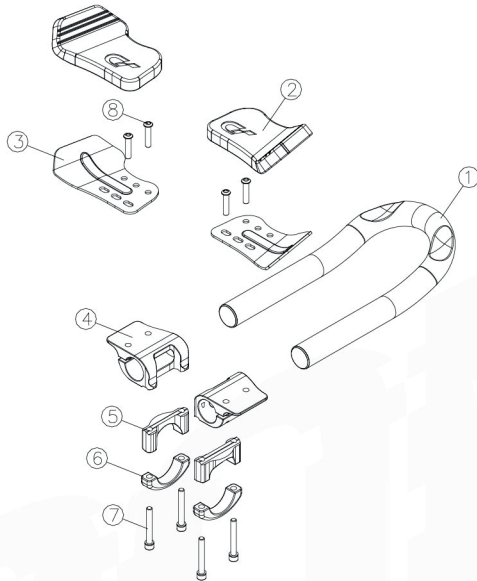
U BEND TT BAR INSTALLATION INSTRUCTIONS

Thank you for choosing this Controltech. With proper care and installation, it will give you trouble-free, enjoyable use.

In order to maximize the safe enjoyment of this product, you should read and carefully follow the following installation instructions and warnings. Failure to do so could result in unexpected wear and/or failure, possibly resulting in injury.

Controltech warrants this product to be free from defects in materials and workmanship for a period of two years from the date of purchase when purchased from an authorized Controltech dealer. This warranty is extended only to the original owner of the product and is not transferable. Proof of purchase is required for any warranty service, so be sure to keep your receipt.

This warranty does not cover cosmetic or structural damage arising from misuse or abuse, including damage caused by crashes, jumping and landing, front end impact, falls or any other collision, owner neglect of regular maintenance, improper installation of parts and accessories. Controltech makes no warranty if modifications, changes, additions or substitutions are made to any components. Wear from normal use or exposure to environmental elements is not covered by this warranty. Controltech makes no warranty against any incidental or consequential damage to bike or parts, or rider injury caused by defects as covered in this warranty.

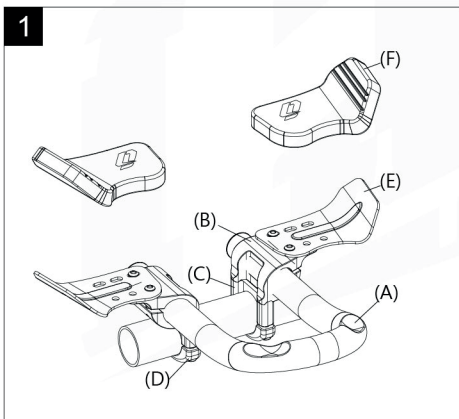


MODEL NAME / MODEL NO.

Bend TT Bar / TTH-14

PART

- ① U-Bend extension x1
- ② Elbow pad x2
- ③ Elbow pad cradle x2
- ④ G Clamp x2
- ⑤ C Clamp x2
- ⑥ Lower clamp x2
- ⑦ M5 bolts x4 (Length 38 mm) x4
- ⑧ M5 bolts x4 (Length 25 mm)



INSTALLATION

1. Inspect the product for any defectives before installation and please contact the dealer or distributor if any.
2. Insert alloy (A) U-Bend extension into (B) G clamp and assemble (C) C clamps with spacers.
3. Mount the aerobar body on the handlebar damping area with the (D) lower clamps by tightening the M5 bolts. (Max. torque 5Nm).
4. Assemble with (E) elbow pad cradle with (F) elbow pad.